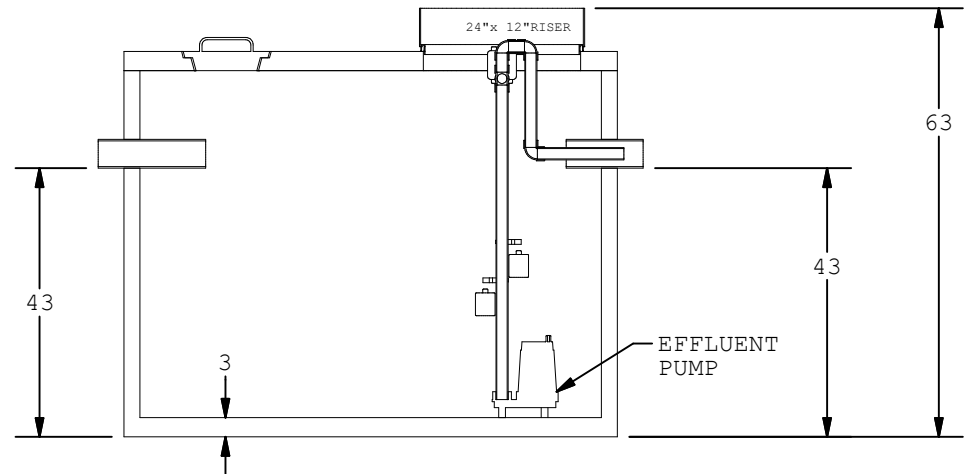


NOTES :

1. CONCRETE = 4,500 PSI
2. STEEL = 35,000 PSI
3. MIN COVER ON REBAR IS 1".
4. HOLES MAY BE CAST PER CUSTOMER SPECIFICATIONS AT NO ADDITIONAL CHARGE.

CONCRETE OR POLY HD
RISERS AND LIDS



PART DESCRIPTION: 500 GALLON CONCRETE PUMP TANK	TOLERANCES UNLESS OTHERWISE SPECIFIED	REV #:1	SCALE: 1 / 30	DATE: 7/18/2018	DRAWN BY: Israel Debro	SHEET #: 1 OF 1
	FRACTIONS ANGLES ±1/2" ±1°	DIMENSIONS ARE IN INCHES UNLESS OTHERWISE SPECIFIED		PART #: CP-500		